

TECHNICAL SPECIFICATION

hushfree.M HUS-AP-002

FOR COMFORTABLE TEAMWORK AND MEETINGS FOR 1 TO 4 PEOPLE

HushFree.M is an A-rated acoustic booth with new 500 lux lighting. The booth is designed for face-to-face and hybrid meetings, important conversations requiring confidentiality, team meetings or creative work. You can equip the booth as you wish – arrange the interior yourself. The booth can be equipped with a ready-made table and two two-seater sofas. HushFree.M lets you hold meetings of up to four people in comfort.



DIMENSIONING

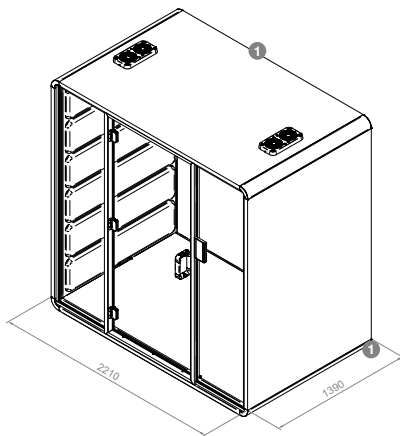


4

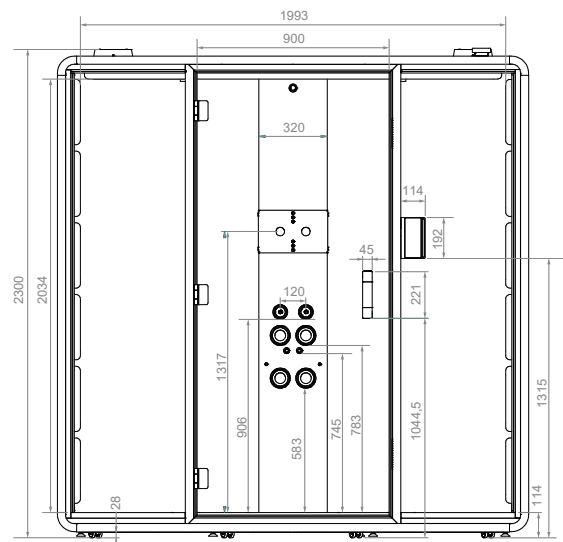
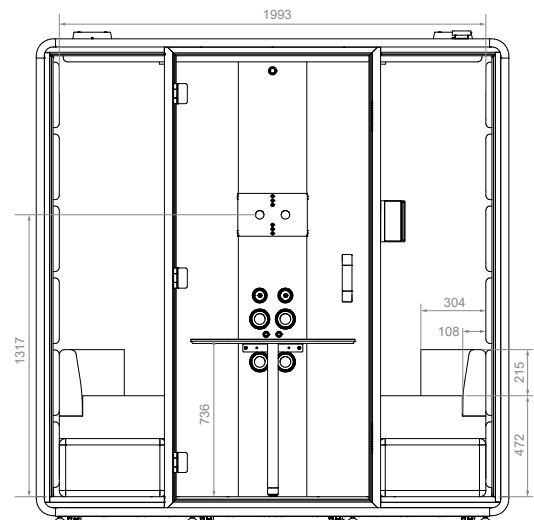
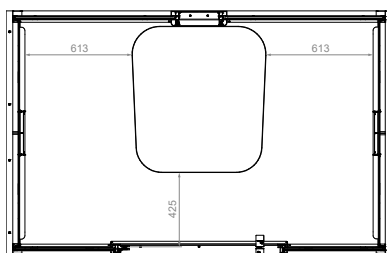
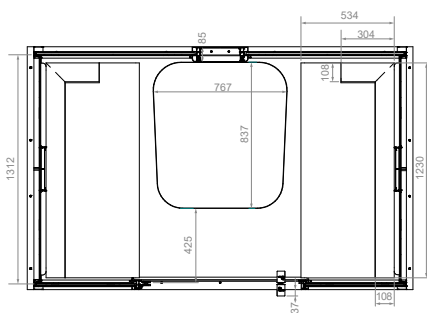
W/D/H: exterior 2210 x 1390 x 2300 mm
interior 1993 x 1310 x 2034 mm

Weight: 586 kg **Weight with box:** 735 kg

Logistic data is available on request.



1 Access to power cable



LIGHTING

LED ceiling light 30 W / 4000 K, Im – 2300; lux – min. 300 / medium 500 / max. 700.



hushoffice

Manufacturer: Fabryka Mebli Biurowych Mikomax sp. z o.o. | 93-231 Łódź ul. Dostawcza 4, Polska
Distributor: Mikomax sp. z o.o. | 93-231 Łódź ul. Dostawcza 4, Polska

hushoffice.com

TECHNICAL SPECIFICATION

hushfree.M HUS-AP-002

ELECTRIC SYSTEM

LED CEILING LIGHT x2.

POWER SUPPLY MODULE (BASIC): 2x power supply 230V.

POWER SUPPLY MODULE (OPTIONAL, AS REQUIRED): type A charger, 1x type C charger with a total power of 5.0 V/4.0 A MAX, HDMI.

POWER CABLE: black – access from the floor with 5000 mm overall length. Access from the booth exit, 3400 mm.

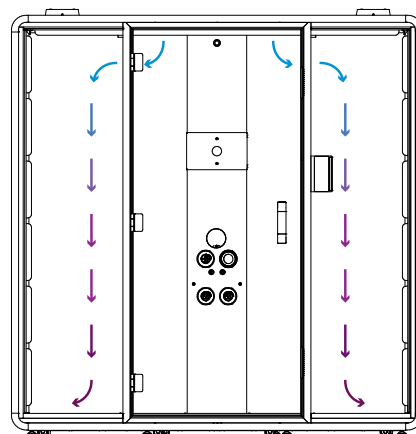
LAN PLUG CAT.6: available with 5000 mm total cable length, and available with 3400 mm at the booth exit.

MOTION SENSOR: located in the ceiling, activates lighting at 50% and ventilation systems at 100% of total power. Standby power consumption 5 W.

Maximum power consumption of the product 0,28A – 64,5W.

VENTILATION SYSTEM

4 fans x 80 m³/h* / 155 seconds**.



* maximum performance of the single fan, taking into account losses in the ventilation system.
** total time of air change inside based on the volume and capacity of one fan.

EXTERIOR

GLASS DOOR WITH LATCH HANDLE: acoustic, tempered and laminated safety glass 10 mm, 5.5.2 thickness, including the 5 mm glass, 2 mm acoustic sheet and 5 mm glass. Anti-collision marking – silkscreen integrated inside the 65 mm wide glass. Transparent glass.

REAR SIDE GLASS PANELS: acoustic and laminated glass 10 mm (RW= 35 dB), 5.5.2 thickness, including the 5 mm glass, 2 mm acoustic sheet and 5 mm glass. Placed in aluminum profiles with acoustic seal. Transparent glass. Matte version as an option.

DOOR HANDLE AND HINGES: painted in cosmos grey. Handle dimensions: 45 x 221 mm.

CASE: 3-layer honeycomb board with a thickness of 38 mm. Both sides covered with melamine and finished with ABS edging. Structure prepared for anti-seismic ground fixing.

16 integrated castors with levelling feet.

INTERIOR

INTEGRAL CARPETED FLOOR: complies with ASTM D2859 – 16 (2021), standard test method for ignitability characteristics of ready to use textile floor covering materials. Adapted to commercial intensive use (hotel room, hotel suite, boutique, shop, restaurant, conference room, high traffic office, reception, stairs). Graphite color.

PANEL WITH CEILING LIGHT: in cosmos grey. Total dimensions 190 x 640 mm, ceiling light dimensions: 70 x 640 mm, hole prepared for smoke detector diameter 20 mm, hole prepared for sprinkler installation diameter 65 mm.

INTERIOR PANELS: Made as a composite based on PETFELT, polyester fleece and fabric. PUR fire-retardant foam with acoustic properties, re-bonded.

KNOB (standard): 69 mm.

UPHOLSTERY Athlon Plus:

weight: 750 g/m²; **composition:** 56% polyester, 44% Trevira CS; **flammability:** cigarette (BS EN 1021-1), cigarettes and matches (BS EN 1021 1&2), CA TB 117-2013; **light fastness:** 5 (EN ISO 105B02); **pilling resistance:** 5 (EN ISO 12945-2); **abrasion resistance:** 100.000 martindale cycles (EN ISO 12947-2); **certification:** OEKO-TEX® STANDARD 100.

TABLE (optional): measuring W/D/H 767 x 837 x 735 mm. Made of 18 mm thick plywood covered with HPL laminate on both sides. Support leg made of 40 x 50 mm steel profile, powder-coated in cosmos grey colour. Maximum load – **15 kg**.

BOOTH OCCUPANCY INDICATOR (optional): booth occupancy light indicator, measuring 96 x 96 x 37 mm, prepared to be integrated with the ventilation module power supply. Adapted to be positioned on the booth ceiling anywhere within 1000 mm of the fan housing. Actuated by a motion sensor.

HUSHBOOKING (optional): measuring 114 x 22.5 x 192 mm. Luminous side panel and touchscreen display indicating booth occupancy, enabling reservations, prepared to be integrated with the booth's power supply. The system can be integrated with the Microsoft 365 platform.

HUSHASSISTANT (optional): HushAssistant is a 4-inch (diameter 104 mm) round, high-resolution touchscreen lighting and ventilation controller. Part of HushAssistant's functionality is to manage and display meeting room availability. The system can be integrated with the Microsoft 365 platform.

SET OF SOFAS (optional): seat module including backrest, available in left and right versions of 1230 x 534 x 688 mm overall dimensions. Seat height – 473 mm, backrest height from seat – 215 mm. Inner structure made of wood-based materials, sprung layer – 100% PU foam, fluffy fleece 100% Polyester. Outer layer – upholstery fabric. Maximum load of the sofa – 220 kg.

TV BRACKET MOUNT (optional): adapter for mounting a TV monitor with VESA bracket (mm) 75 x 75; 100 x 100; 100 x 200; 200 x 100; 200 x 200 with overall dimensions 221 x 226 x 45 mm. Adapted for mounting on the centre column of the booth by means of mounting screws which are an integral part of the column. Structure made of bent sheet metal powder-coated in cosmos grey colour.

TECHNICAL SPECIFICATION

hushfree.M HUS-AP-002

| OPTIONAL EQUIPMENT | WEIGHT: | WEIGHT WITH BOX: |
|--------------------|---------|------------------|
| SOFA (1 PC.) | 20,6 kg | 24,6 kg |
| TABLE HUSHFREE.M | 9,9 kg | 10,5 kg |
| TV MOUNT SET | 2,3 kg | 2,4 kg |

ACOUSTIC RATING

Acoustic measurements according to ISO 23351-1:2020 – class A – $D_{s,A}$ 30,2 (dB).

SUSTAINABLE DEVELOPMENT

Hushoffice booths are manufactured in the ISO 9001 and 14001 certified production factory in Poland by Mikomax Smart Office. The production process complies with the ISO 14001 environmental management system standard. Hushoffice booths are packaged and delivered in lightweight, recyclable cardboard boxes.

CERTIFICATION



Warranty



Made in EU



PEFC/04-04-0007
DINC-PEFC-COC-001290



hushoffice

Manufacturer: Fabryka Mebli Biurowych Mikomax sp. z o.o. | 93-231 Łódź ul. Dostawcza 4, Polska
Distributor: Mikomax sp. z o.o. | 93-231 Łódź ul. Dostawcza 4, Polska

hushoffice.com